

7"

61FIND

Mid-woofer



REDCATT®


Key features:

- EXTENDED FREQUENCY RESPONSE
- LIGHTWEIGHT, YET STRONG PAPER CONE. WEATHER SEALED, FIRE-RETARDANT MATERIALS
- AFFORDABLE DESIGN

Design notes:

61FIND continues our series of affordable ferrite mid-woofers. The driver was designed with ferrite magnetic circuit, combined with lightweight, yet strong, paper cone and fabric surround. In the heart of the 61FIND is 2, Å CCAW high temperature wire wound on TIL former. This combination provides remarkable strength, great temperature resistance and ensures high level of move force transfer onto the cone without sound artifacts.

All steel parts are extensively treated for weather protection. Cone neck was furthermore treated with fire-retardants. That together with non-flammable Nomex spider and TIL voice coil former allows the designers accommodate this driver in UL listed products.

Specifications:

General specs

Nominal Diameter: 7"
Rated Impedance: 16 ohm

Power handling

AES Power: 150 watts
Program Power: 300 watts
Peak Power: 600 watts

Voice Coil

Diameter: 2 in.
Winding wire: CCAW
Former: Glass Fiber
Winding height: 12.6 mm

T/S Parameters

Resonant frequency: 130 Hz
Re: 14.9 ohm
Qes: 0.71
Qms: 5.13
Qts: 0.62
Vas: 2.64 liters
Sd: 132.7 cm²
Sensitivity: 92 dB
Mms: 14.3 grams
Bl: 15.64
Le: 0.92 mH

Design details

Surround Material: Fabric
Cone material: Paper
Spider: Nomex
Plate thickness: 8 mm
Peak to peak linear cone displacement: 7.2 mm
Overall diameter: 165.2 mm
Bolt circle diameter: 157.5 mm
Baffle cutout dia.: 144.5 mm
Number of mounting holes: 4
Depth (flange to rear): 78 mm
Net weight: 2.7kg

Ordering codes:

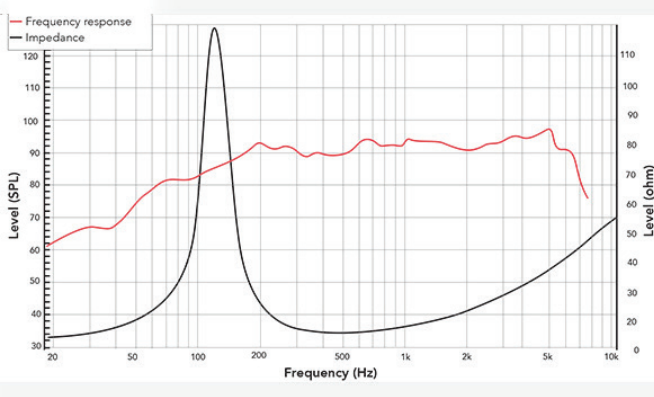
61FIND-X16 ohm-332A

Recone kits:

RC61FINDX-332A

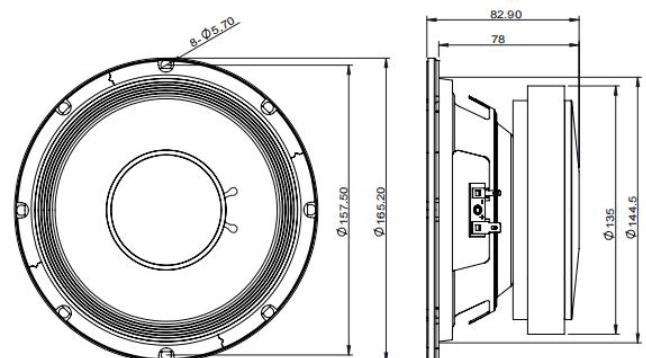
In many cases REDCATT produces 4 ohms, 8 ohms and 16 ohms versions. Indicate what impedance do you need in your request.

Frequency response & Impedance



Frequency response measured on IAC baffle

2D drawing



info@redcatt.net

www.redcatt.net