

5"

51FWH

Woofer


REDCAT®


Key features:

- WIDE FREQUENCY RANGE
- VERY LOW HARMONIC DISTORTION

Design notes:

Introducing the 51FWH, a compact yet powerful woofer that redefines performance in our product lineup. Engineered with an optimized cone, surround, dust cap, and spider design, this woofer utilizes advanced materials and a cutting-edge magnetic circuit to deliver exceptional sound quality across a wide frequency range. Experience minimal breakup modes and harmonic distortion artifacts, allowing for crystal-clear audio reproduction. With the capability

to perform seamlessly up to 15kHz, the 51FWH is the perfect choice for those seeking a well-balanced and high-performing solution in a compact form. Elevate your audio experience with the 51FWH!

Specifications:

General specs

Nominal Diameter: 5"

Rated Impedance: 8 ohm

Power handling

AES Power: 30 watts

Program Power: 60 watts

Peak Power: 120 watts

Voice Coil

Diameter: 1 in.

Winding wire: CCAW

Former: Aluminum

Winding height: 12.5 mm

T/S Parameters

Resonant frequency: 57 Hz

Re: 6.9 ohm

Qes: 0.34

Qms: 3.9

Qts: 0.31

Vas: 3.28 liters

Sd: 52.8 cm²

Sensitivity: 85 dB

Mms: 8.6 grams

Bl: 8.1

Le: 0.64 mH

Design details

Surround Material: Rubber

Cone material: Paper

Spider: Nomex

Plate thickness: 4 mm

Peak to peak linear cone displacement: 11.4 mm

Overall diameter: 123.8 mm

Bolt circle diameter: 114 mm

Baffle cutout dia.: 94 mm

Number of mounting holes: 6

Depth (flange to rear): 50.5 mm

Net weight: 0.85kg

Ordering codes:

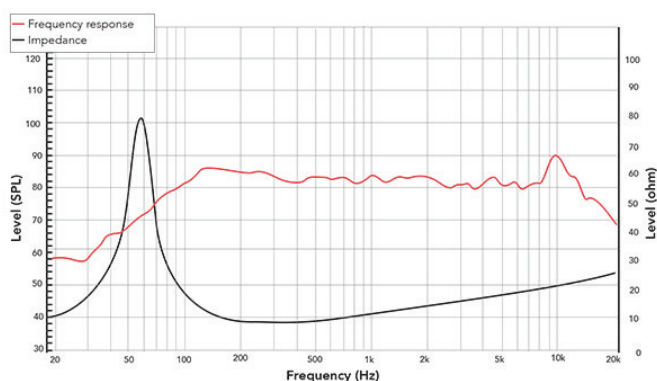
51FWH-X8 ohm-562B

Recone kits:

RC51FWHX-562B

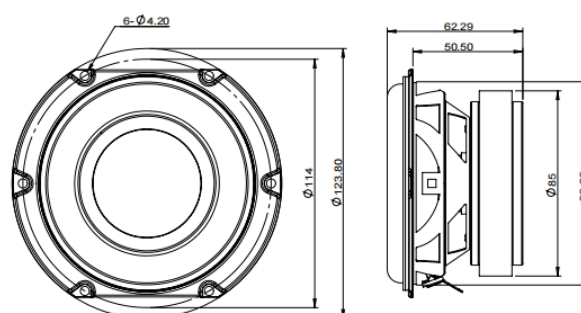
In many cases REDCATT produces 4 ohms, 8 ohms and 16 ohms versions. Indicate what impedance do you need in your request.

Frequency response & Impedance



Frequency response measured on IAC baffle

2D drawing



info@redcatt.net

www.redcatt.net