

4"

4FR

Full-range



REDCAT®


Key features:

- 4FR MID-WOOFER WAS DESIGNED WITH OUTDOOR APPLICATIONS IN MIND. ALL
- EXTENDED LF FREQUENCY RESPONSE
- 2-WAY SPEAKER SYSTEMS

Design notes:

4FR Mid-woofer was designed with outdoor applications in mind. All speaker parts are coated to provide good protection against weather elements. The surround, cone and dust cap are produced with UV stabilizers. Our state of the art glue application and glue selection ensures the glue joints are waterproof.

Magnet circuit is designed around sizable ferrite magnet. Consistent and wide BL field add to the well balanced perfor-

mance of this driver.

Polypropylene cone and dust-cap are lightweight solution and deliver the highest levels of performance. Large surround roll extends the peak cone displacement and greatly improves the LF performance.

The best application is in 2-way or multi-way speaker systems that can be designed for indoor or outdoor usage in Hi-Fi or professional products.

Specifications:

General specs

Nominal Diameter: 4"

Rated Impedance: 4 ohm

Power handling

AES Power: 30 watts

Program Power: 60 watts

Peak Power: 120 watts

Voice Coil

Diameter: 1 in.

Winding wire: Copper

Former: Aluminum

Winding height: 4.3 mm

T/S Parameters

Resonant frequency: 80 Hz

Re: 3.3 ohm

Qes: 0.58

Qms: 4.24

Qts: 0.51

Vas: 1.96 liters

Sd: 50.3 cm²

Sensitivity: 85 dB

Mms: 7.3 grams

Bl: 4.58

Le: 0.29 mH

Design details

Surround Material: Rubber

Cone material: PP

Spider: Nomex

Plate thickness: 5 mm

Peak to peak linear cone displacement: 6.6 mm

Overall diameter: 116 mm

Bolt circle diameter: 109 mm

Baffle cutout dia.: 94.5 mm

Number of mounting holes: 4

Depth (flange to rear): 55.9 mm

Net weight: 0.78kg

Ordering codes:

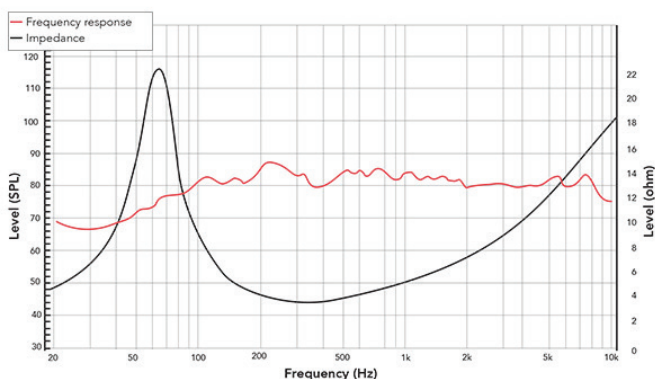
4FR-X4 ohm-385

Recone kits:

RC4FRX-385

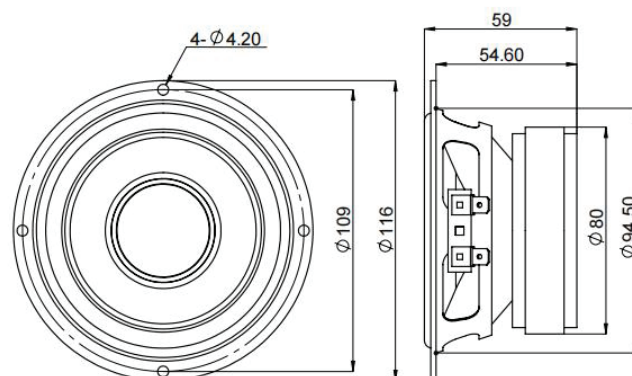
In many cases REDCATT produces 4 ohms, 8 ohms and 16 ohms versions. Indicate what impedance do you need in your request.

Frequency response & Impedance



Frequency response measured on IAC baffle

2D drawing



info@redcatt.net

www.redcatt.net