

4"**41FR****Full-range****REDCATT®****Key features:**

- VERY GOOD PERFORMANCE AT AFFORDABLE PRICE
- EXCELLENT HF EXTENSION
- ARRAY APPLICATIONS, 2-WAY SYSTEMS, CAN BE USED WITHOUT HF UNIT

Design notes:

41FR is ferrite based mid-woofer, developed for applications where small size mid-woofer is required. This version was developed with extended HF response and in some cases could be used as full-range driver. Yet, this driver delivers very good performance low frequency range as well.

Our engineers have chosen light-weight, yet strong, paper cone with rubber surround. Cone optimized shape brings remarkable strength of the piston and greatly

improves harmonic distortion artifacts.

Overall this model delivers very good performance and is well balanced between performance - cost.

Specifications:**General specs**

Nominal Diameter: 4"

Rated Impedance: 8 ohm

Power handling

AES Power: 20 watts

Program Power: 40 watts

Peak Power: 80 watts

Voice Coil

Diameter: 1 in.

Winding wire: CCAW

Former: kapton

Winding height: 7.2 mm

T/S Parameters

Resonant frequency: 134 Hz

Re: 5.6 ohm

Qes: 0.81

Qms: 10.6

Qts: 0.75

Vas: 1.3 liters

Sd: 50.3 cm²

Sensitivity: 89 dB

Mms: 3.8 grams

Bl: 4.78

Le: 0.09 mH

Design details

Surround Material: Fabric

Cone material: Paper

Spider: Nomex

Plate thickness: 5 mm

Peak to peak linear cone displacement: 7 mm

Overall diameter: 105.5 mm

Bolt circle diameter: 106 mm

Baffle cutout dia.: 93.6 mm

Number of mounting holes: 4

Depth (flange to rear): 55.9 mm

Net weight: 0.78kg

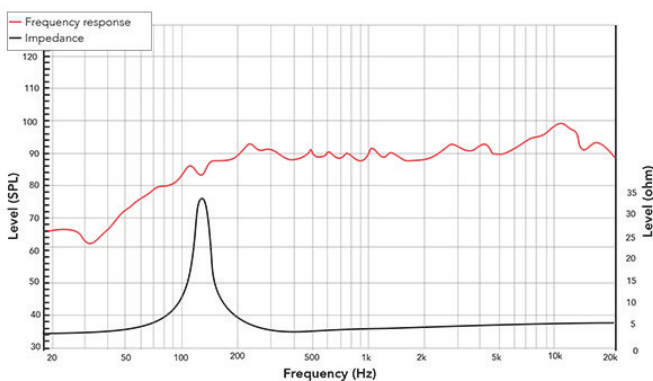
Ordering codes:

41FR-X8 ohm-360B

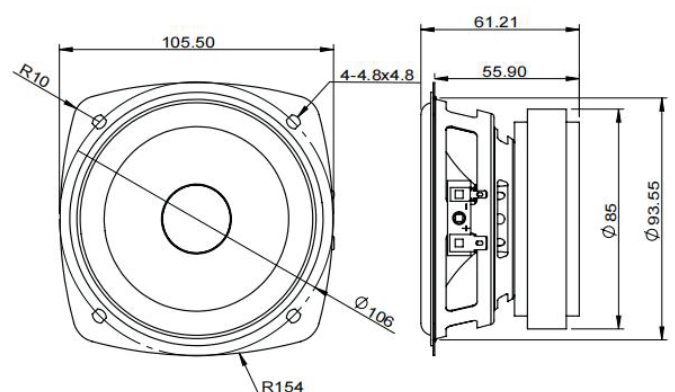
Recone kits:

RC41FRX-360B

In many cases REDCATT produces 4 ohms, 8 ohms and 16 ohms versions. Indicate what impedance do you need in your request.

Frequency response & Impedance

Frequency response measured on IAC baffle

2D drawing

info@redcatt.net

www.redcatt.net