

4"**35FR****Full-range****REDCATT****Key features:**

- MIGHTY DRIVER DELIVERING THE HIGHEST PERFORMANCE
- VERY GOOD LF EXTENSION, LARGE PEAK TO PEAK CONE DISPLACEMENT

Design notes:

35FR was developed as full-range ferrite magnet driver. It has an excellent HF extension and provides extended level of LF performance.

The driver was designed for usage in sealed speaker systems. It could be in column speakers, 2-way or 1-way speakers. It is also possible design a speaker system with a passive radiator to further extend the low frequency range.

Voice coil is wound with copper

hi temperature wire directly on the aluminum former, ensuring good power handling and high temperature stability.

This driver brings good balance between performance and cost.

Depending on intended usage, we can deliver the driver either as 4 or 8 ohm version.

Specifications:**General specs**

Nominal Diameter: 4"

Rated Impedance: 4 ohm

Power handling

AES Power: 25 watts

Program Power: 50 watts

Peak Power: 100 watts

Voice Coil

Diameter: 1 in.

Winding wire: Copper

Former: Aluminum

Winding height: 6.9 mm

T/S Parameters

Resonant frequency: 67 Hz

Re: 3.5 ohm

Qes: 0.37

Qms: 4.35

Qts: 0.34

Vas: 1.6 liters

Sd: 38.5 cm²

Sensitivity: 84 dB

Mms: 7.5 grams

Bl: 5.46

Le: 0.14 mH

Design details

Surround Material: Rubber

Cone material: Paper

Spider: Nomex

Plate thickness: 8 mm

Peak to peak linear cone displacement: 12.2 mm

Overall diameter: 93 mm

Bolt circle diameter: 101 mm

Baffle cutout dia.: 85 mm

Number of mounting holes: 4

Depth (flange to rear): 51 mm

Net weight: 0.85kg

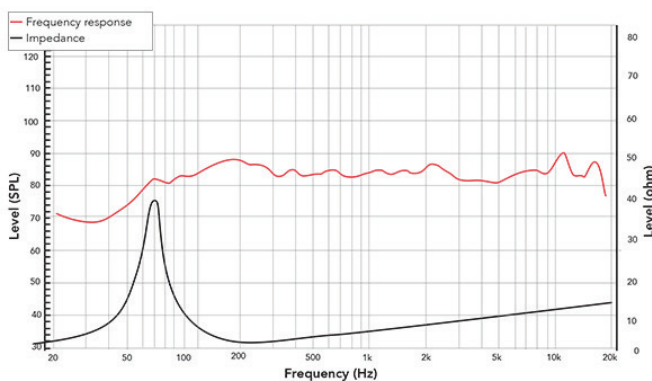
Ordering codes:

35FR-X4 ohm-155

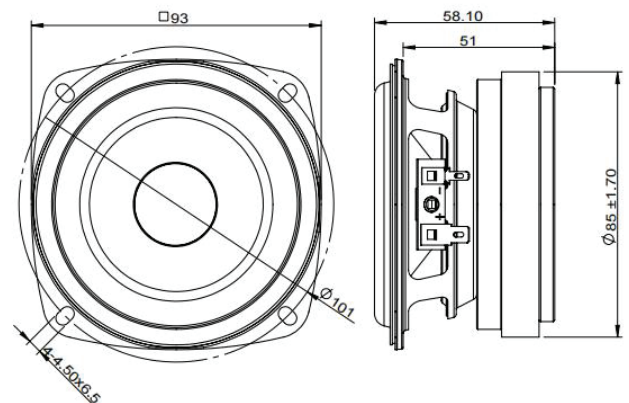
Recone kits:

RC35FRX-155

In many cases REDCATT produces 4 ohms, 8 ohms and 16 ohms versions. Indicate what impedance do you need in your request.

Frequency response & Impedance

Frequency response measured on IAC baffle

2D drawing
info@redcatt.net
www.redcatt.net