

3"**30FF****Full-range****REDCATT****Key features:**

- FULL-RANGE FREQUENCY RESPONSE
- AFFORDABLE SMALL DRIVER THAT FITS ALL BUDGETS
- VERY POPULAR IN ARRAY AND COLUMN APPLICATIONS

Design notes:

The 30FF is a high efficiency, (85dB 1watt / 1 meter) 3-inch full range speaker with linear frequency response characteristics and high power handling capability while generating low harmonic distortion artifacts. The 30FF uses a light-weight exponential pressed cone assembly along with a NBR single roll geometry surround. The combination provides remarkable strength, high efficiency and sustained output under extreme conditions.

Power Handling
At the core of the 30FF is it's voice coil technology featuring a Kapton former material capable of withstanding peak temperatures in excess of 240C, well beyond the thermal requirements of modern professional audio systems and providing optimal structural strength and thermal characteristics. Former strength provides the ideal transfer of power between the voice coil and the cone assembly and assists in reducing

distortion artifacts. By combining this material with state of the art adhesives and our winding voice coil technology, the 30FF delivers very high performance.

The best application is in column speakers, two-way and multi-way audio systems. Due to its good HF extension, the HF units are not required.

Specifications:**General specs**

Nominal Diameter: 3"

Rated Impedance: 8 ohm

Power handling

AES Power: 20 watts

Program Power: 40 watts

Peak Power: 80 watts

Voice Coil

Diameter: 0.75 in.

Winding wire: CCAW

Former: Kapton

Winding height: 6.5 mm

T/S Parameters

Resonant frequency: 119 Hz

Re: 5.6 ohm

Qes: 0.98

Qms: 3.87

Qts: 0.78

Vas: 0.81 liters

Sd: 28.27 cm²

Sensitivity: 85 dB

Mms: 2.4 grams

Bl: 3.25

Le: 0.04 mH

Design details

Surround Material: Rubber

Cone material: Paper

Spider: Nomex

Plate thickness: 4 mm

Peak to peak linear cone displacement: 7.4 mm

Overall diameter: 79 mm

Bolt circle diameter: 86 mm

Baffle cutout dia.: 77 mm

Number of mounting holes: 4

Depth (flange to rear): 46.9 mm

Net weight: 0.47kg

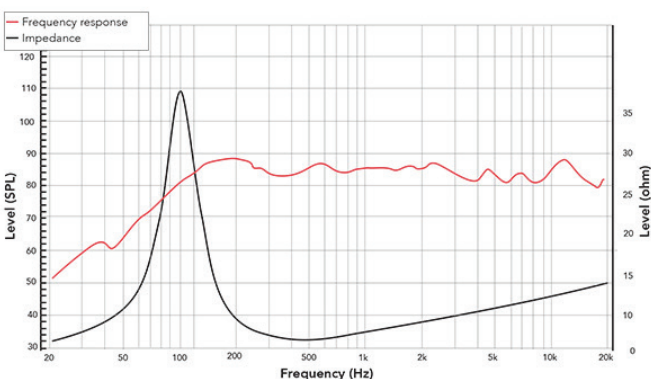
Ordering codes:

30FF-X8 ohm-264B

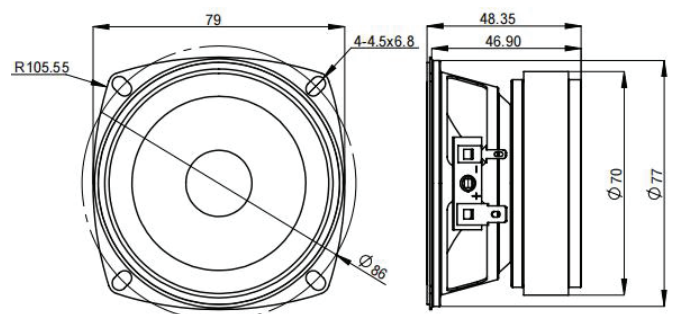
Recone kits:

RC30FFX-264B

In many cases REDCATT produces 4 ohms, 8 ohms and 16 ohms versions. Indicate what impedance do you need in your request.

Frequency response & Impedance

Frequency response measured on IAC baffle

2D drawing

info@redcatt.net

www.redcatt.net