

**3"****25NFR****Full-range****REDCATT** **Key features:**

- FULL-RANGE FREQUENCY RESPONSE
- A VERY SMALL FORM FACTOR
- OPTIMIZED FREQUENCY RESPONSE

**Design notes:**

25NFR was designed around neodymium ring magnet. The magnetic structure delivers very high level of magnetic force, while generating minimum amount of modulation distortion.

The lightweight, yet strong, paper cone with attached rubber surround was designed and optimized to deliver the highest level of performance in full-range applications.

This speaker finds its best application in columns or multi-way Hi-Fi products. Due to its excellent HF response, further usage of HF units is not required.

The small form-factor allows this product to be used in space limited applications or portable products.

**Specifications:****General specs**

Nominal Diameter: 3"

Rated Impedance: 8 ohm

**Power handling**

AES Power: 20 watts

Program Power: 40 watts

Peak Power: 80 watts

**Voice Coil**

Diameter: 0.8 in.

Winding wire: CCAW

Former: kapton

Winding height: 8.3 mm

**T/S Parameters**

Resonant frequency: 123 Hz

Re: 7.3 ohm

Qes: 0.81

Qms: 5.97

Qts: 0.71

Vas: 0.46 liters

Sd: 21.2 cm<sup>2</sup>

Sensitivity: 83 dB

Mms: 2.2 grams

Bl: 4

Le: 0.09 mH

**Design details**

Surround Material: Rubber

Cone material: Paper

Spider: Nomex

Plate thickness: 3 mm

Peak to peak linear cone displacement: 7.8 mm

Overall diameter: 65 mm

Bolt circle diameter: 73 mm

Baffle cutout dia.: 56 mm

Number of mounting holes: 4

Depth (flange to rear): 37 mm

Net weight: 0.18kg

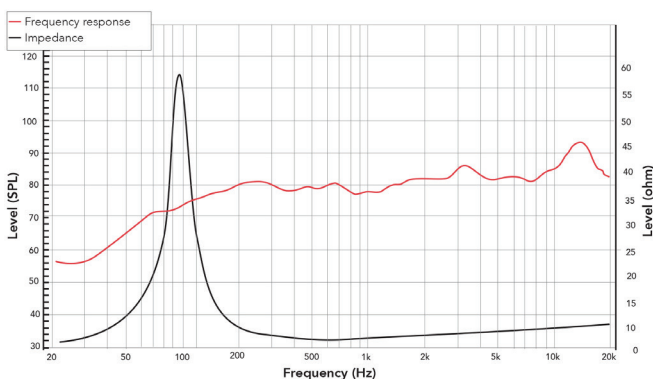
**Ordering codes:**

25NFR-X8 ohm-279

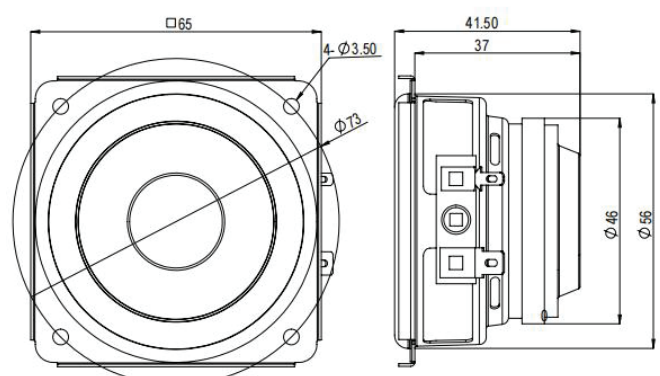
**Recone kits:**

RC25NFRX-279

In many cases REDCATT produces 4 ohms, 8 ohms and 16 ohms versions. Indicate what impedance do you need in your request.

**Frequency response & Impedance**

Frequency response measured on IAC baffle

**2D drawing**

info@redcatt.net

www.redcatt.net