

- Ideal for use in closed, vent port or passive-radiator applications where the full range of frequency response and good low frequency is desired. 4FR is designed to work well in multi-source array applications.

Ferrite Full Range

Ordering code: 4FR-322

Cont. Power	Sens.	Fs	Freq. Range	VC Dia.	VC Wire	Cone/Surround/Dome	Magnet type
50 watts	85.5 dB	69.5 Hz	50 Hz - 18,000 Hz	1.0" 1out	Copper	Paper / Rubber	Ferrite

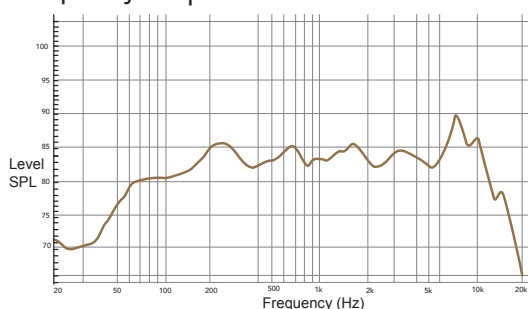
The 4FR was developed for full-range applications with an extended low-frequency response. The engineers have designed this affordable loudspeaker for the tight budget applications. The paper cone with the rubber surround and the spider are carefully attached to the steel frame, resp. the voice coil, using our trusted adhesives and well-controlled adhesives dispensing process. The structural rigidity proves beneficial to the low harmonic distortion artifacts and overall good performance of this driver across a broadband of frequencies. Excellent B filed and Kms symmetry is further adding to this driver overall performance.

Magnetic circuit design

The ferrite based magnetic structure has been optimized by modern FEM simulation and well designed to provide a wide and controlled magnetic field. All metal parts are heavy-duty coated to withstand the harsh environments of any application this loudspeaker might possibly see.

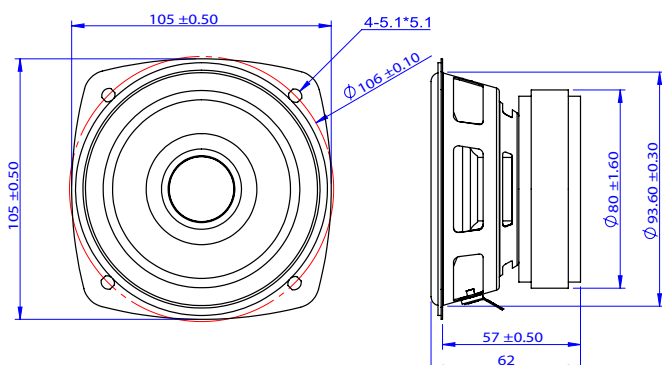
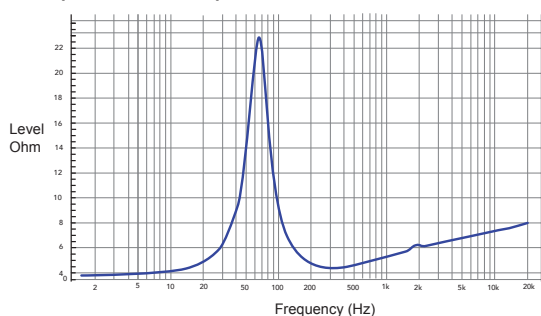


Frequency Response



Frequency response measurement with driver mounted on IEC half space baffle.

Impedance Response



General Specifications

Nominal Diameter:	102 mm (4 in.)
Rated Impedance:	4 ohm
Power Handling:	
AES Power:	25 Watts
Power Compression @-10dB	0.8dB
Power Compression @ 0dB	1.1dB
Power Compression @ Max Power	1.9dB
Maximum Recommended Xover Freq.:	--- N/A ---
Recommended Enclosure Volume:	0.6 - 2.5 Liters
Cone Design:	Str. Gmtry, aluminum
Front Plate Thickness:	5 mm
Winding Height:	10.6 mm
Fs	69 Hz
Re	3.68 Ohm
Sd	50.3 cm ²
Qms	3.1
Qes	0.5
Qts	0.43
Vas	2.8 Liters
Mms	6.6 g
BL product (force factor)	4.6 Tm
Peak to peak displacement (mm)	11.4 mm
Le (mH @1kHz)	0.06
Overall diameter	sq. 77.7 mm
No. of mounting holes	4
Bolt circle diameter	83 mm
Front mount baffle cutout dia.	71.5 mm Nominal
Rear mount baffle cutout diameter	70 mm Nominal
Total depth	55 mm
Flange and gasket thickness	--- N/A ---
Net weight	0.21 kg
Shipping weight	--Industrially packed--
Packing Dimensions	--Industrially packed--