

15NPM

APPLICATION:

- The 15NPM is ideal for use in vented port or horn loaded high quality audio applications. Designed with extended mid frequency, it is ideal for 2-way and multi-way speaker systems



Neodymium Mid-bass Woofer

Ordering code: 15NPM-262

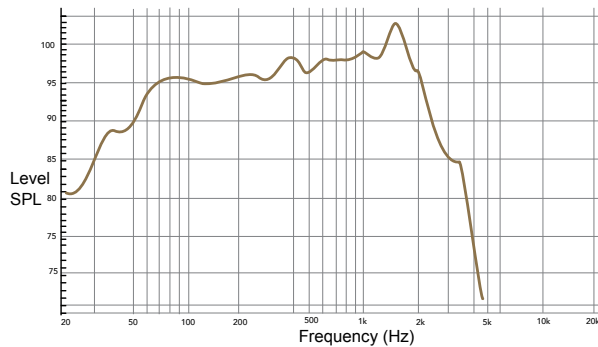
Cont. Power	Sens.	Fs	Freq. Range	VC Dia.	VC Wire	Cone/Surround/Dome	Magnet type
1,600 watts	97.5 dB	48 Hz	35 Hz - 2.5 kHz	4" 1out	Alu Ribbon	Paper w. CF / Fabric	Neodymium

The 15NPM is a truly unique full range woofer. We have designed cutting edge product, using the best available materials and highly optimized design for the best performance in its class. It delivers very high efficiency, (97 dB 1watt / 1 meter), incredibly linear frequency response characteristics with extended HF frequency response, extreme high power handling capability, while generating ultra low harmonic distortion artifacts. The 123NPM uses a lightweight carbon fiber loaded cone assembly along with a high excursion triple roll constant geometry surround. This combination provides remarkable strength, high efficiency and a peak to peak linear excursion of 22mm (0.9in).

Magnetic Circuit

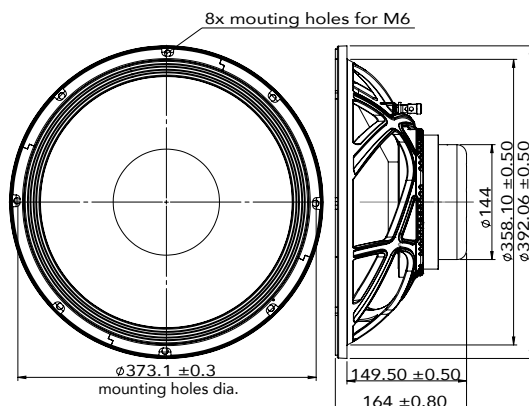
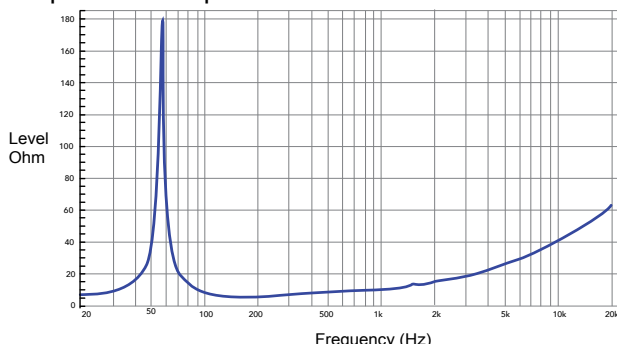
The magnetic circuit sports two aluminum shorting rings, double air-gap front plate. The cooling system and the air flow has been designed using modern FEM techniques and further optimized to provide the highest levels of cooling efficiency. The magnetic circuit design is optimized to generate the minimum amount of flux modulation, providing exceptional stability.

Frequency Response



Frequency response measurement with transducer mounted in 180 liter vented enclosure tuned to 35 Hz.

Impedance Response



General Specifications

Nominal Diameter:	381 mm (15 in.)
Rated Impedance:	8 ohm
Power Handling:	
AES Power:	900 Watts
Power Compression @-10dB	0.55dB
Power Compression @ 0dB	1.5dB
Power Compression @Max Power	2.2dB
Maximum Recommended Xover Freq.:	1,800 Hz
Recommended Enclosure Volume:	70 - 180 Liters 2 - 6 cuft.
Cone Design:	Prog. Gmtry, Redcatt Cell.
Fs	48 Hz
Re	4.97 Ohm
Sd	855 cm ²
Qms	16.5
Qes	0.503
Qts	0.488
Vas	92 Liters
Mms	120 g
BL product (force factor)	19
Peak to peak displacement (mm)	18
Le (mH @1kHz)	0.68
Overall diameter	392 mm (15.43 in.)
No. of mounting holes	8
Bolt circle diameter	372 mm (14.64 in.)
Front mount baffle cutout dia.	362 mm (14.25 in.)Nominal
Rear mount baffle cutout diameter	360 mm (14.17 in.)Nominal
Total depth	164 mm (6.46 in.)
Flange and gasket thickness	12 mm (0.47 in.)
Net weight	12.4 kg (27.3 lbs.)
Shipping weight	13.9 kg (30.6 lbs.)
Packing Dimensions	450x 450x 200 mm

