

APPLICATION:

- The 15FIND is ideal for use in vented port or band pass applications where sizable amounts of low frequency acoustic power is desired.

Ferrite Low Frequency Woofer

Ordering code: 15FIND-035

Cont. Power	Sens.	Fs	Freq. Range	VC Dia.	VC Wire	Cone/Surround/Dome	Magnet type
2000 watts	98 dB	42 Hz	28 Hz - 2.5 kHz	4" 1in/1out	Copper	Paper w. CF / Fabric	Ferrite

The 15FIND is a high efficiency, (98 dB 1 watt / 1 meter) 15-inch woofer with incredibly linear frequency response characteristics, extreme high power handling capability while generating low harmonic distortion artifacts. The 15FIND uses a lightweight, but strong, glass fiber loaded cone assembly along with a high excursion triple roll constant geometry surround. This combination provides remarkable strength, high efficiency and a peak to peak maximum excursion of 38mm (1.5in).

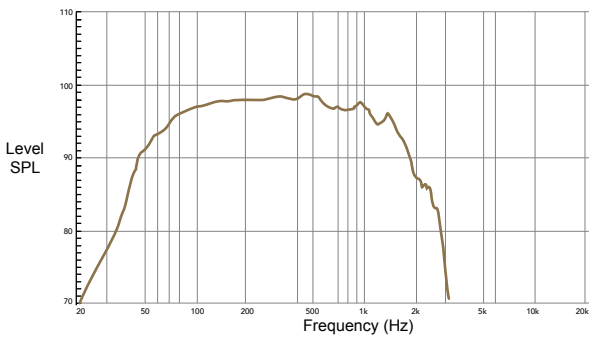
Power Handling

At the core of the 15FIND is its voice coil technology featuring a composite Polyimide former material capable of withstanding peak temperatures in excess of 250°C, well beyond the thermal requirements of modern professional audio systems. Winding is wound on the outside and inside of the former.

REDCATT has implemented a silicone spider design to ensure long term Fs memory, consistency and diminish anomalies associated with spider deterioration. The sealed spider works as an air pump and pushes the air through out motor to increase heat transfer and cooling of the parts.

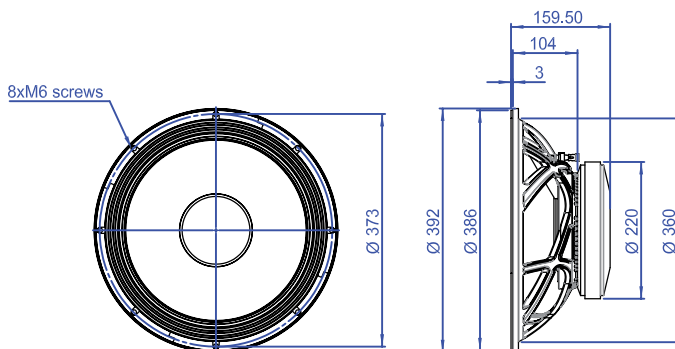
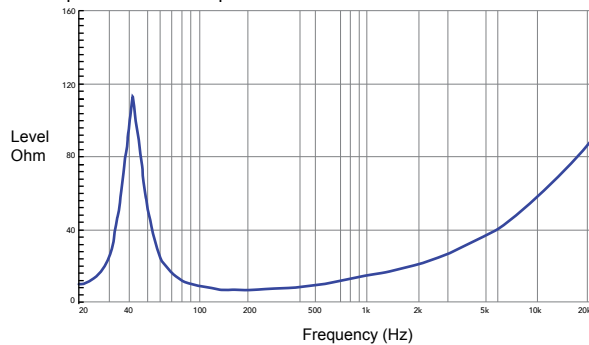


Frequency Response



Frequency response measurement with transducer mounted in a 180 liter vented enclosure tuned to 35Hz

Impedance Response



General Specifications

Nominal Diameter:	381 mm (15 in.)
Rated Impedance:	8 ohm
Power Handling:	
AES Power:	1000 Watts
Power Compression @-10dB	0.7dB
Power Compression @-10dB	1.5dB
Power Compression @Max Power	2.2dB
Maximum Recommended Xover Freq.:	1,500 Hz
Recommended Enclosure Volume:	70 - 180 Liters 2 - 6 cuft.
Cone Design:	Strght Gmtry, Redcatt Cell.
Fs	42 Hz
Re	5.71 Ohm
Sd	881 cm ² (137 in. ²)
Qms	8.3
Qes	0.468
Qts	0.443
Vas	103 Liters
Mms	160 g
BL product (force factor)	22.5
Peak to peak displacement (mm)	22
Le (mH @1kHz)	2.15
Overall diameter	392 mm (15.43 in.)
No. of mounting holes	8
Bolt circle diameter	372 mm (14.64 in.)
Front mount baffle cutout dia.	362 mm (14.25 in.)nominal
Rear mount baffle cutout diameter	360 mm (14.17 in.)nominal
Total depth	159.5 mm (6.28 in.)
Flange and gasket thickness	12 mm (0.47 in.)
Net weight	12.4 kg (27.3 lbs.)
Shipping weight	13.9 kg (30.6 lbs.)
Packing Dimensions	410x 410x 215 mm