

CX12F-140F

- Ideal for use in audio system where the compact driver size brings benefits to the overall design. Portable audio, stage monitors, KTV, conference systems, etc.



APPLICATION:

Ferrite-Neo Coaxial

Ordering code: CX12-140FX4-376

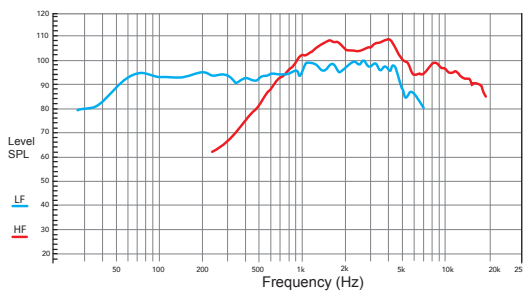
Cont. Power	Sens.	Fs	Freq. Range	VC Dia.	VC Wire	Cone/Surround/Dome	Magnet type
500 / 70 watts	96.5 / 103 dB	62 Hz/ 950 kHz	40 Hz - 15,000 Hz	2" / 1.4"	CCAW / ALR	Paper / Fabric / Polyamide	Ferrite / Neo

The CX12F-140F is a high efficiency, (96.5 dB 1watt / 1 meter) 12-inch coaxial speaker with very linear frequency response characteristics and high power handling capability. The mid-woofer utilizes REDCATT developed paper pulp cone that has proven its performance in many of our successful designs. The HF section was designed around our most successful dome assembly as used in 140FCD and has integrated symmetrical aluminum horn. The combination of used materials with our state of the art quality production yields in well performing driver even in the most demanding and extreme weather conditions.

Magnetic circuit design

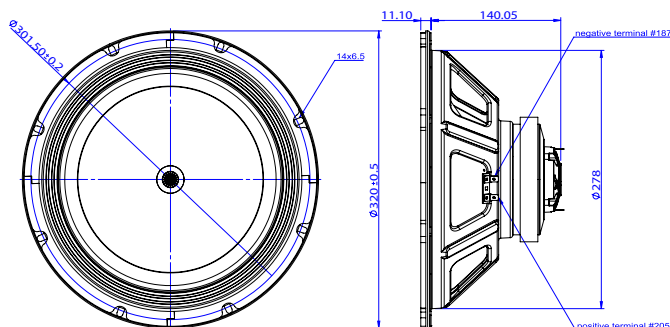
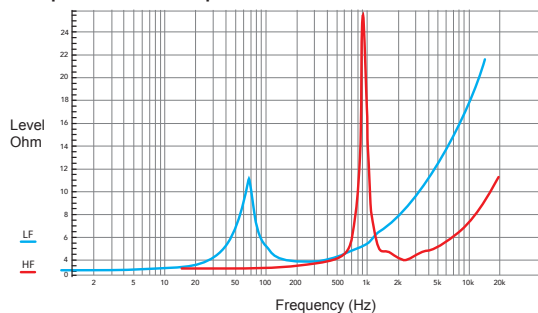
REDCATT engineers have developed ferrite-neodymium based magnetic circuit, capable of delivering the highest level of performance in a small form factor. The combination of ferrite and neodymium delivers an excellent magnetic performance. The magnetic circuit design is optimized to generate the minimum amount of flux modulation, providing exceptional stability. Aluminum demodulation ring is assembled in the HF section.

Frequency Response



Frequency response measurement with transducer mounted on IEC half space baffle.

Impedance Response



General Specifications

	LF	HF
Nominal Diameter:	320 mm (12 in.)	36 mm (1.4")
Rated Impedance:	4 ohm	4 ohm
Power Handling:		
AES Power:	300 Watts	35 Watts
Program Power	500 Watts	70 Watts
Power Compression @-10dB	0.8dB	
Power Compression @ 0dB	1.1dB	
Power Compression @ Max Power	1.9dB	
Min. Recommended Xover Freq.:	1,400 Hz	
Recommended Enclosure Volume:	40 - 70 Liters	
Cone Design:	Str. Gmtry	
Front Plate Thickness:	8 mm	
Winding Height:	12 mm	
Fs	62 Hz	950 Hz
Re	3.06 Ohm	3.8 Ohm
Sd	531 cm ²	
Qms	11.1	
Qes	0.7	
Qts	0.66	
Vas	62.5 Liters	
Mms	42 g	
BL product (force factor)	8.6 Tm	
Peak to peak displacement (mm)	11.5 mm	
Le (mH @1kHz)	0.26	
Coverage		110° nominal
Overall diameter	320 mm	
No. of mounting holes	8	
Bolt circle diameter	301.5 mm	
Front mount baffle cutout dia.	278 mm Nom.	
Rear mount baffle cutout diameter	295 mm Nom.	
Total depth	152 mm	
Flange and gasket thickness	11.2mm	
Net weight	5.3 kg	

