

Ordering code: 20TNX8-383 High Frequency Tweeter

Cont. Power	Sens.	Fs	Freq. Range	VC Dia.	VC Wire	Cone/Surround/Dome	Magnet type
20 watts	89 dB	1,500 Hz	1,400 Hz - 20 kHz	20mm	CCAW	Poly-Silk	Neodymium



The 20TN tweeter has a lower resonance frequency, making the crossover design a non-complicated task. The tweeter comes with a small waveguide, but based upon request, the tweeter can be also delivered as a “bare” tweeter and assembled with your own waveguide.

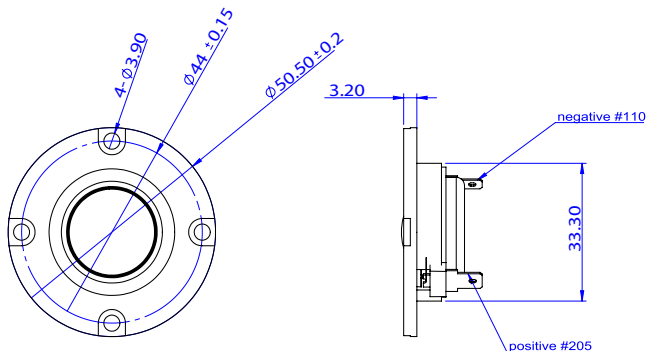
The best application is in tabletop studio monitors, prosumer products, bookshelf speakers, TV bars, micro line-arrays, etc.

General Specifications

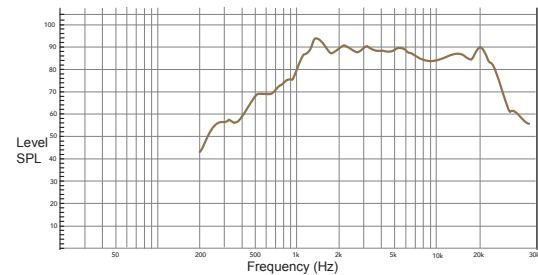
Exit Throat Diameter:	N/A
Rated Impedance:	8 Ohm
Power Handling:	
AES Power:	10 Watts
Program Power:	20 Watts
Sensitivity:	89 dB
Frequency Range:	1,400 Hz - 20,000 Hz
Minimum Recommended Xover Freq.:	>1,600 Hz
Minimum Impedance:	6 Ohms at 25C
Voice Coil Diameter:	20mm
Voice Coil Winding Wire Material:	CCAW
Diaphragm:	Poly-Silk
Flux Density:	
Magnetic Material:	Neodymium
Fs	1,500 Hz

Mounting Information

No. of mounting holes	4 holes mounting pattern
4x dia 3.9mm holes	44 mm Dia.
Total depth	49 mm (1.93 in.)
Total outside dimension	50.5mm Dia.
Net weight	83g

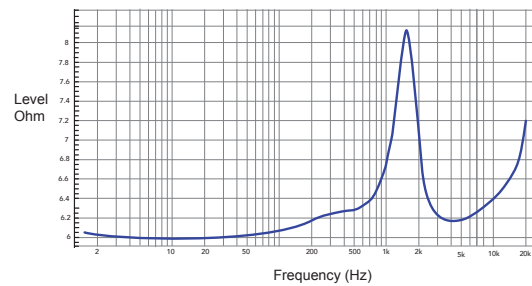


Frequency Response



Frequency response measurement on IEC infinity baffle

Impedance Response



Impedance measured in a free air