

Ferrite Low Frequency Woofer

Ordering code: 183FIND-297

Cont. Power	Sens.	Fs	Freq. Range	VC Dia.	VC Wire	Cone/Surround/Dome	Magnet type
1600 watts	98 dB	35 Hz	25 Hz - 1.5 kHz	3" out	Copper	Paper / Fabric	Ferrite

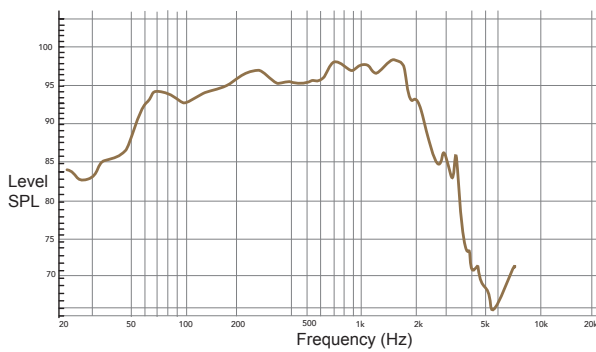
183FIND is a cost-effective solution for subwoofers. Its lightweight yet strong cone allows the magnetic circuit to be size optimized while delivering a sizeable amount of sound pressure. With its high efficiency (98 dB 1watt / 1 meter) and high power handling capabilities, this woofer will excel in all applications with tight budgets. The cone shape and material was developed to provide an optimum low-frequency response, making the woofer good choice for subwoofer systems.

Power Handling

At the core of the 183FIND is its voice coil technology featuring a composite Polyimide former material capable of withstanding peak temperatures above 280°C. The winding with high-temperature specification copper wire ensures the long life of the voice coil, without the costly service cycles.

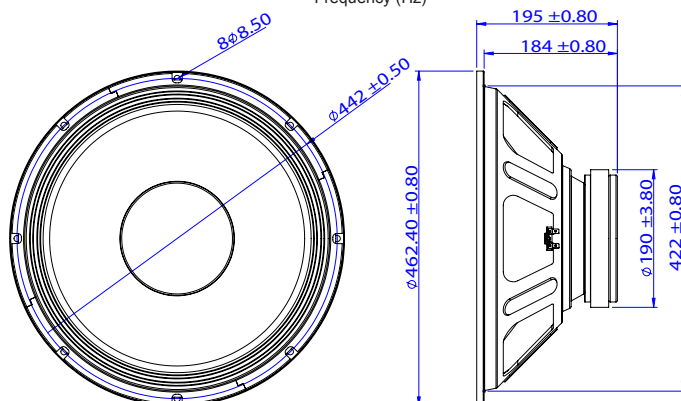
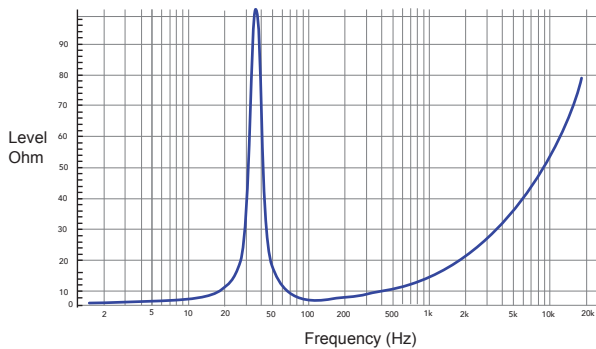
The cone is also extensively treated to withstand harsh environments and high humidity. Metal parts in the speaker assembly are coated for extreme weatherization protection.

Frequency Response



Frequency response measurement with transducer mounted on IEC half space baffle.

Impedance Response



General Specifications

Nominal Diameter:	460 mm (18 in.)
Rated Impedance:	8 ohm
Power Handling:	
AES Power:	800 Watts
Power Compression @-10dB	0.9dB
Power Compression @ 0dB	1.9dB
Power Compression @ Max Power	2.7dB
Maximum Recommended Xover Freq.:	1,500 Hz
Recommended Enclosure Volume:	150 - 350 Liters 4 - 12 cuft.
Cone Design:	Strght Gmtry, Redcatt Cell.
Fs	36 Hz
Re	5.35 Ohm
Sd	1231 cm ²
Qms	11.45
Qes	0.49
Qts	0.48
Vas	287 Liters
Mms	152 g
BL product (force factor)	20.0
Peak to Peak Displacement (mm)	20 mm
Le (mH @1kHz)	0.81
Overall diameter	462.4 mm
No. Of mounting holes	8
Bolt circle diameter	442 mm
Front mount baffle cutout dia.	422 mm Nominal
Rear mount baffle cutout diameter	432 mm Nominal
Total depth	195 mm
Flange and gasket thickness	11 mm (0.86 in.)
Net weight	9.1 kg (20.1 lbs.)
Shipping weight	10.2 kg (22.5 lbs.)
Packing Dimensions	485x 485x 260 mm