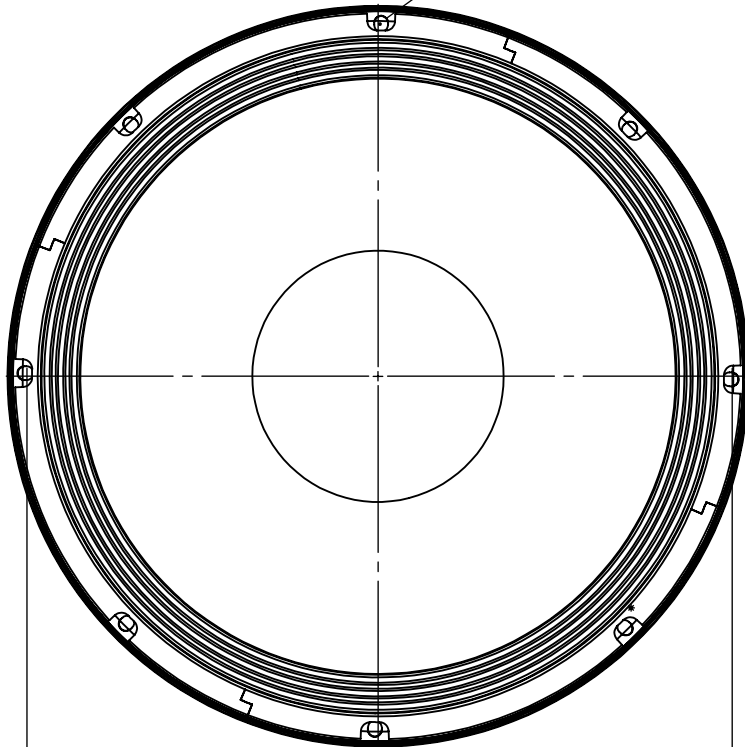
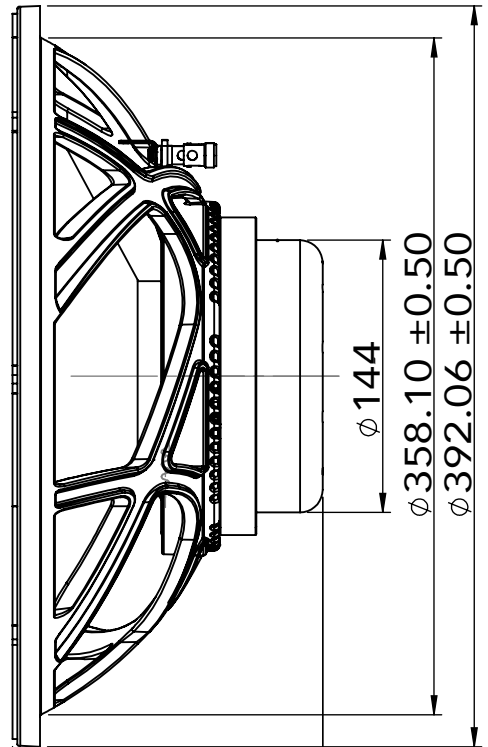


8x mounting holes for M6



$\phi 373.1 \pm 0.3$
mounting holes dia.



149.50 ± 0.50
 164 ± 0.80

$\phi 144$
 $\phi 358.10 \pm 0.50$
 $\phi 392.06 \pm 0.50$