

152FIND-333

APPLICATION:

The 152FIND-333 is ideal for use in vented port or band pass sub-woofer applications where sizable amounts of low frequency acoustic power is desired.



Ferrite Low Frequency Woofer

Ordering code: 152FINDX8-333

Cont. Power	Sens.	Fs	Freq. Range	VC Dia.	VC Wire	Cone/Surround/Dome	Magnet type
1600 watts	95 dB	35 Hz	25 Hz - 2.5 kHz	3" 1in/1out	CCA W	Paper w. CF / Rubber	Ferrite

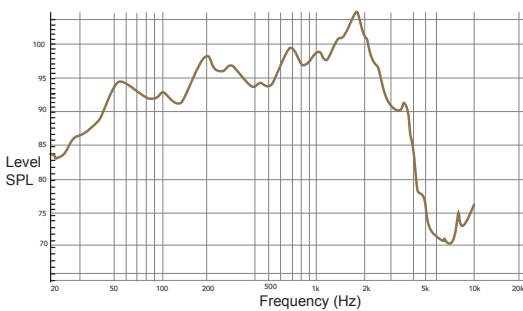
The 152FIND-333 is a high efficiency, (95 dB 1 watt / 1 meter) 15-inch woofer with linear frequency response characteristics and high power handling capability. The 152FIND-333 uses a lightweight carbon fiber loaded cone assembly along with a high excursion rubber surround. This combination greatly improves low-frequency response and provides great level of control over the moving cone at high excursion levels. We have designed a lightweight surround, using our own rubber compound. As the result, the SPL is not compromised and the woofer can be used in professional audio applications, where high amounts of low frequencies are required.

Power Handling

At the core of the 152FIND-333 is it's voice coil technology featuring a composite Polyimide former material capable of withstanding peak temperatures in excess of 280C, well beyond the thermal requirements of modern professional audio systems. The 152FIND-333 cone is extensively treated to withstand harsh environments and high humidity. Metal parts in the speaker assembly are coated for extreme weatherization protection.

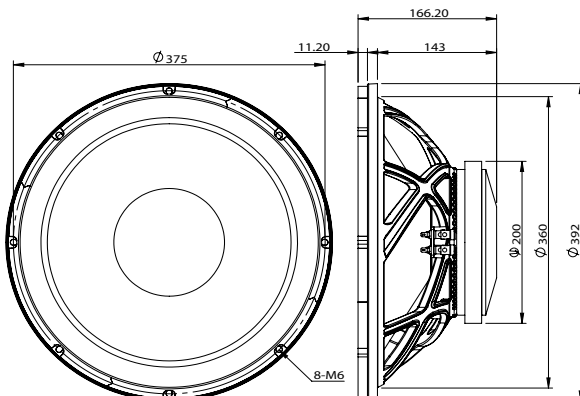
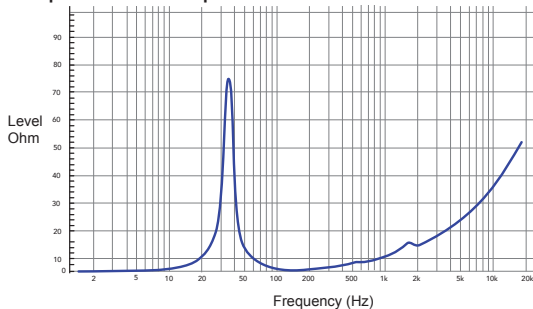


Frequency Response



Frequency response measurement with transducer mounted on IEC half space baffle.

Impedance Response



General Specifications *(1)

Nominal Diameter:	381 mm (15 in.)
Rated Impedance:	8 ohm
Power Handling:	
AES Power:	800 Watts
Power Compression @-10dB	0.7dB
Power Compression @ 0dB	1.5dB
Power Compression @ Max Power	2.2dB
Maximum Recommended Xover Freq.:	200 Hz
Recommended Enclosure Volume:	50 - 180 Liters
Cone Design:	Strght Gmtry, Redcatt Cell.
Fs	35 Hz
Re	4.81 Ohm
Sd	804 cm ²
Qms	10.5
Qes	0.5
Qts	0.47
Vas	138 Liters
Mms	135 g
BL product (force factor)	17.1
Peak to peak displacement (mm)	20
Le (mH @1kHz)	0.54
Overall diameter	392 mm
No. of mounting holes	8
Bolt circle diameter	375 mm
Front mount baffle cutout dia.	362 mm (Nominal)
Rear mount baffle cutout diameter	360 mm (Nominal)
Total depth	166 mm
Flange and gasket thickness	11.2 mm
Net weight	12.4 kg
Shipping weight	13.9 kg
Packing Dimensions	410x 410x 215 mm

*(1)

T/S parameters were measured after 2hrs of AES power test with fully break-in suspension parts.

