

- Ideal for high output, high quality two-way and multiple way systems, small line array systems, where small form factor is required

## Ordering code: 101FCD-159 High Frequency Compression Driver

Cont. Power	Sens.	Fs	Freq. Range	VC Dia.	VC Wire	Cone/Surround/Dome	Magnet type
40 watts	110.5 dB	1,900 Hz	1,020 Hz - 18 kHz	35.5mm	EW CCAW	Polyimide	Ferrite

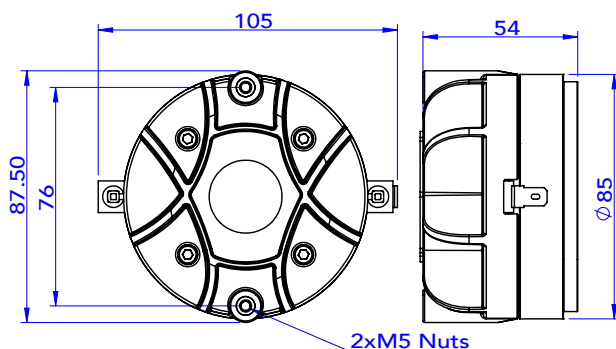


### General Specifications

Exit Throat Diameter:	25.4 mm (1.0 in.)
Rated Impedance:	8 Ohm (or 16 Ohm)
Power Handling:	
AES Power:	20 Watts
Program Power:	40 Watts
Sensitivity:	110.5 dB
Frequency Range:	1,200 Hz - 20,000 Hz
Minimum Recommended Xover Freq.:	>2,100 Hz
Minimum Impedance:	7.0 Ohms at 25C
Voice Coil Diameter:	25.4mm (1.0 in.)
Voice Coil Winding Wire Material:	Edge Wound CCAW
Diaphragm:	Polyimide composite
Flux Density:	1.76 T
Magnetic Material:	Ferrite
Fs	1,900 Hz

### Mounting Information

No. Of mounting holes	2 holes mounting pattern
2x M5 Holes	76mm Dia.
Total depth	54mm
Total outside dimension	85.0 mm Dia.
Net weight	0.6 kg (1.3 lbs.)



The 101FCD compression driver is a very high performance high frequency device ideal for professional loudspeaker systems. The driver's ferrite based magnetic circuit provides a robust, high force BL field, providing precision control of the Polyimide diaphragm assembly. The unit delivers extended frequency response and high power handling through 1.0inch exit throat.

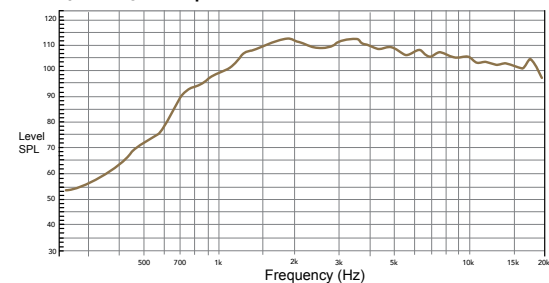
### Diaphragm Assembly

The driver features a 37mm Polyimide diaphragm formed as single piece with Polyimide suspension that consists resonance control features lowering harmonic distortion at low frequencies.

The dome is carefully attached to a high temperature Nomex voice coil former that withstands the long term power characteristics typically seen in professional applications. The acoustic output exits through a bullet phase plug and a 1.0 inch throat aperture. Nominal sensitivity is 110.5 dB 1watt / 1 meter.

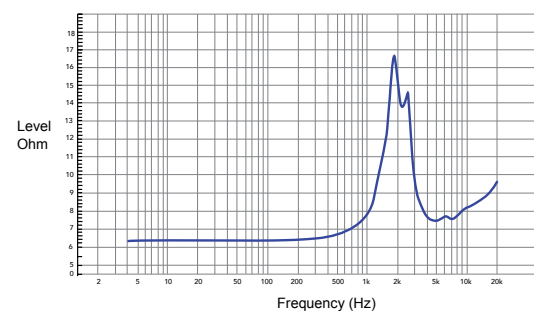
REDCATT uses state of the art adhesives in all assembly steps. Our voice coil to dome bonding is unique process, developed to greatly improve the power handling capabilities. REDCATT unique and precise adhesives dispensing, combined with our in-house developed dome treatments are further improving the long term reliability of this product.

### Frequency Response



Frequency response measurement with transducer mounted on constant directivity horn

### Impedance Response



Impedance measured in with a horn